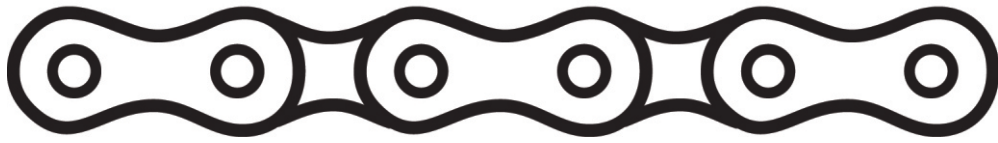


PT PARTS



POWER TRANSMISSION PARTS

Spare parts in-stock when you need them

Cone Ring Couplings



www.ptparts.com.au



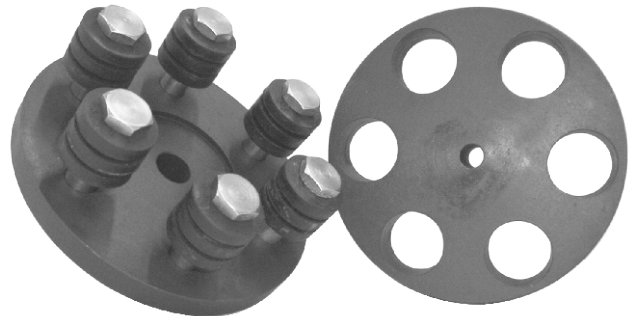
CONE RING TYPE COUPLING

PERFORMANCE DATA

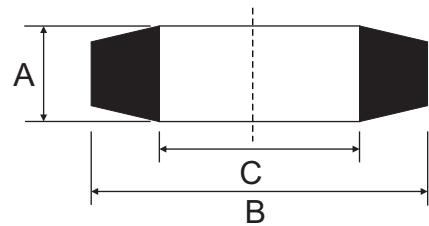
CONE RING TYPE

The Cone Ring type coupling is very popular. Naismith Engineering stock a full range of Cone Ring type couplings in pilot bore and taper bore. Replacement rings are also available. The flexible element consists of tapered rubber rings mounted on steel pins. These rings absorb commonly encountered misalignment, shock and vibration.

Part No.	Max Bore		Power at 100 RPM kW	Nominal Torque (Nm)	Normal Maximum Speed (RPM)
	Pin Hub	Bush Hub			
KX020	28.0	20.0	0.56	50	6500
KX030	38.0	30.0	1.20	110	4600
KX038	42.0	38.0	2.00	190	4400
KX042	48.0	42.0	3.00	290	4000
KX048	55.0	48.0	5.00	480	3400
KX058	65.0	58.0	8.00	760	3000
KX070	75.0	70.0	11.00	1000	2700
KX075	80.0	75.0	27.00	2600	2300
KX085	90.0	85.0	37.00	3500	2090
KX105	120.0	105.0	56.00	5300	1760
KX120	130.0	120.0	94.00	9000	1570
KX135	150.0	135.0	128.00	12000	1390
KX150	170.0	150.0	167.00	16000	1280
KX170	190.0	170.0	258.00	25000	1090
KX190	215.0	190.0	360.00	34000	975
KX215	240.0	215.0	467.00	45000	880



DIMENSIONAL DATA



SPARE PARTS

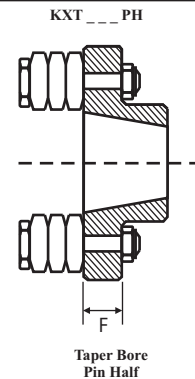
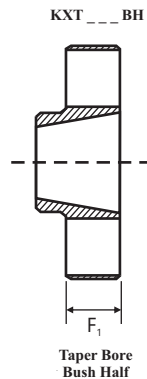
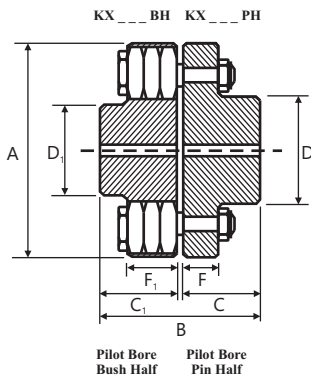
Part No.	Pins		Cone Rings			
	Qty. Per Coupling	Thread	Qty. Per Coupling	A	B	C
KX020	6	M8	18	5.2	23.4	9.9
KX030	4	M10	12	7.2	28.2	12.7
KX038	6	M10	18	7.2	28.2	12.7
KX042	8	M10	24	7.2	28.2	12.7
KX048	6	M12	18	10.3	37.7	17.5
KX058	8	M12	24	10.3	37.7	17.5
KX070	10	M12	30	10.3	37.7	17.5
KX075	8	M20	32	12.7	50.0	25.0
KX085	10	M20	40	12.7	50.0	25.0
KX105	12	M20	48	12.7	50.0	25.0
KX120	10	M24	40	17.9	63.1	30.2
KX135	12	M24	48	17.9	63.1	30.2
KX150	14	M24	56	17.9	63.1	30.2
KX170	10	M36	40	22.0	85.0	43.5
KX190	12	M36	48	22.0	85.0	43.5
KX215	14	M36	56	22.0	85.0	43.5





CONE RING TYPE COUPLING

DIMENSIONAL DATA



Pin Hub Dimensions

Part No.	Bore		Taper Bush Pin	A	B		C		D	F
	Min	Max			Pilot	Taper	Pilot	Taper		
KX020	12.0	28.0	-	89.0	69.0	-	33.0	-	44.0	12.0
KX030	12.0	38.0	-	127.0	85.0	-	41.0	-	66.0	12.0
KX038	15.0	42.0	-	132.0	99.0	-	48.0	-	72.0	12.0
KX042	15.0	48.0	1215	146.0	115.0	82.0	56.0	41.0	82.0	12.0
KX048	21.0	55.0	1615	171.0	125.0	82.0	61.0	41.0	94.0	17.0
KX058	21.0	65.0	2017	193.0	139.0	95.0	68.0	47.0	110.0	17.0
KX070	21.0	75.0	2525	216.0	155.0	135.0	76.0	68.0	130.0	17.0
KX075	28.0	80.0	2525	254.0	179.0	-	88.0	-	142.0	30.0
KX085	28.0	90.0	3030	279.0	203.0	159.0	100.0	80.0	160.0	30.0
KX105	34.0	120.0	3535	330.0	237.0	185.0	117.0	93.0	210.0	30.0
KX120	61.0	130.0	4040	370.0	270.0	214.0	132.0	106.0	225.0	45.0
KX135	67.0	150.0	4545	419.0	300.0	239.0	147.0	119.0	260.0	45.0
KX150	82.0	170.0	5050	457.0	336.0	265.0	165.0	132.0	300.0	45.0
KX170	96.0	190.0	-	533.0	382.0	-	188.0	-	320.0	63.0
KX190	122.0	215.0	-	597.0	428.0	-	211.0	-	380.0	63.0
KX215	135.0	240.0	-	660.0	480.0	-	237.0	-	430.0	63.0

Bush Hub Dimensions

Part No.	Bore		Taper Bush Bush	A	B		C		D ₁ Bush	F ₁ Bush
	Min	Max			Pilot	Taper	Pilot	Taper		
KX020	12.0	20.0	-	89.0	69.0	-	33.0	-	35.0	23.0
KX030	12.0	30.0	-	127.0	85.0	-	41.0	-	51.0	24.0
KX038	15.0	38.0	-	132.0	99.0	-	48.0	-	64.0	24.0
KX042	15.0	42.0	1215	146.0	115.0	82.0	56.0	38.0	70.0	24.0
KX048	21.0	48.0	1615	171.0	125.0	82.0	61.0	38.0	82.0	33.0
KX058	21.0	58.0	2017	193.0	139.0	95.0	68.0	45.0	97.0	33.0
KX070	21.0	70.0	2525	216.0	155.0	135.0	76.0	64.0	117.0	33.0
KX075	28.0	75.0	2525	254.0	179.0	-	88.0	-	127.0	53.0
KX085	28.0	85.0	3030	279.0	203.0	159.0	100.0	76.0	147.0	53.0
KX105	34.0	105.0	3535	330.0	237.0	185.0	117.0	89.0	180.0	53.0
KX120	61.0	120.0	4040	370.0	270.0	214.0	132.0	102.0	206.0	76.0
KX135	67.0	135.0	4545	419.0	300.0	239.0	147.0	114.0	230.0	76.0
KX150	82.0	150.0	5050	457.0	336.0	265.0	165.0	127.0	256.0	76.0
KX170	96.0	170.0	-	533.0	382.0	-	188.0	-	292.0	92.0
KX190	122.0	190.0	-	597.0	428.0	-	211.0	-	330.0	92.0
KX215	135.0	215.0	-	660.0	480.0	-	237.0	-	368.0	92.0

Only available with taperlock entry from flange side.

